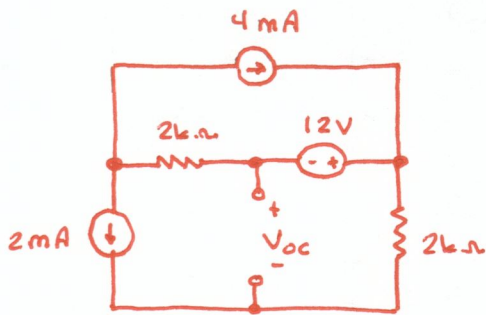
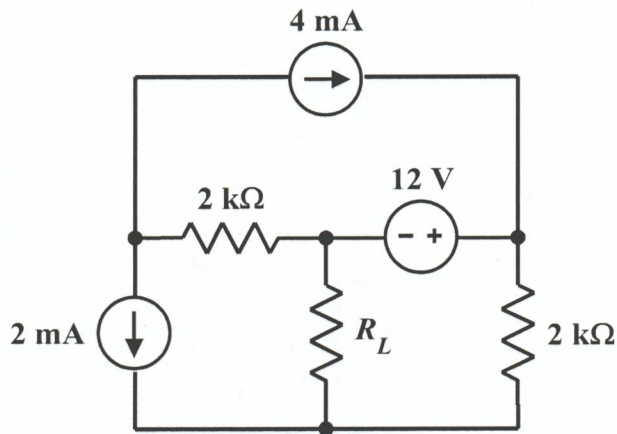
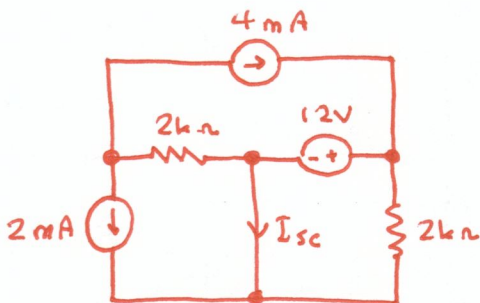


EE 2240  
**Problem #01**

What value should be chosen for  $R_L$  so that it will absorb maximum power from the rest of the circuit?



$$V_{oc} = -12V - (2mA)(2k\Omega) = -16V$$



$$I_{sc} = -2mA - \frac{12V}{2k\Omega} = -8mA$$

For maximum power transfer, choose

$$R_L = R_T = R_N = \frac{V_{oc}}{I_{sc}} = \frac{-16V}{-8mA} = 2k\Omega$$